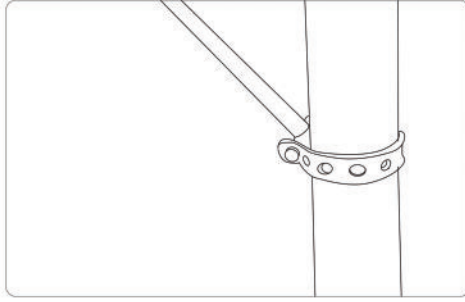
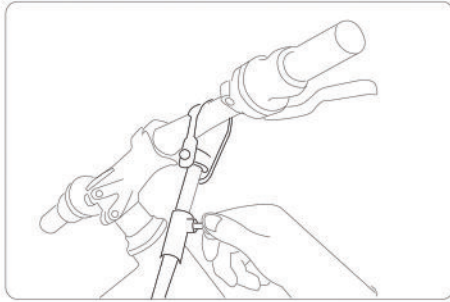


Fitting the balance pole

1. Fit one edge of the balance pole to the support.
2. Adjust the balance pole by screwing and unscrewing the locking knob.
3. Fit the other edge of the pole to the bike.

NOTE! It is recommended to fit the balance pole to the bike front wheel, but not necessary, it can be attached to any part of the bike.



Storage and Folding

Step 1

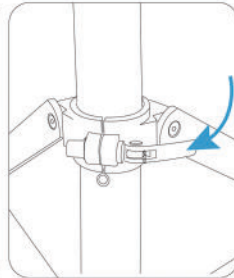
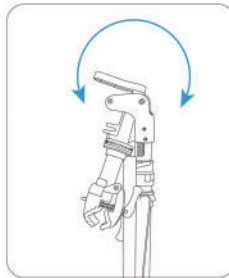
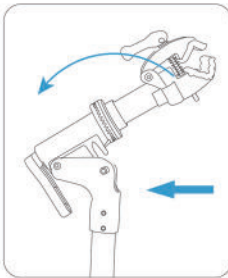
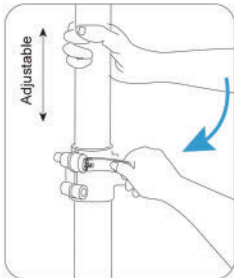
Open&loosen the quick release spanner at the middle to lower the telescopic tube height;

Step 2

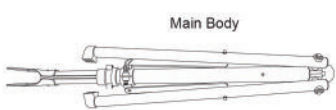
Turn over the clamp to the oppose direction to fold the clamp;

Step 3

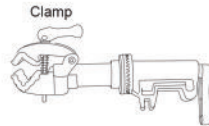
Open&loosen the quick release spanner on the main base to fold the legs;



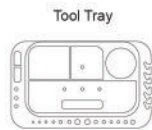
Bill of Material



Main Body



Clamp



Tool Tray



Tools



Quick Release Bolt & Screw Kit



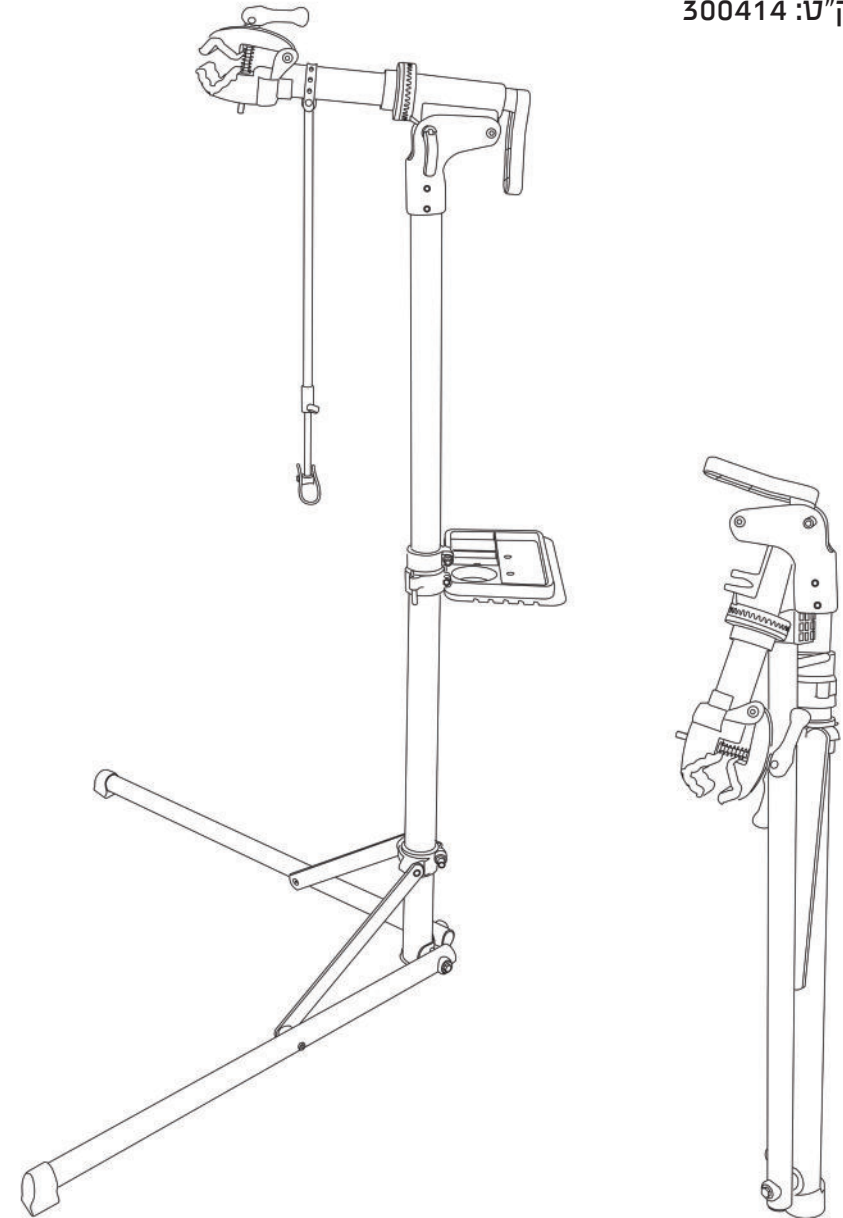
Tool Tray Mounting Kit



Balance Pole

מתקן טיפול מקצועי באופניים

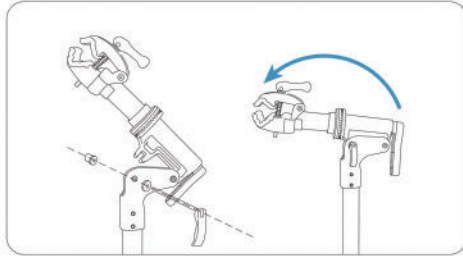
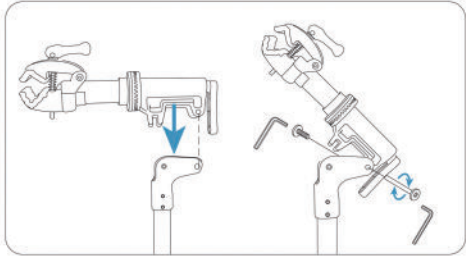
מק"ט: 300414



Clamp Assembly

According to below graph, align the mounting holes to insert the clamp into the slot, insert the bolt and nut, fasten them with 2 x A5 Allen Wrenches.

Insert the quick release bolt thru the assembly hole according to below graph and fasten the cap nut. Put down the clamp to stuck on the quick release bolt.



Product Presentation

This bike repair stand has been designed to lift and store bikes for a wide variety of applications and at anytime and everywhere thanks to it's lightweight and portable design.

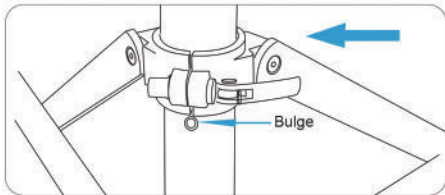
It features a 360° quick-release adjustable clamp made of reinforced ABS material and nylon to rotate the bike to any angle and do not damage paintworks, a balance pole, a multifunctional PP tool tray, and a 2 feet anti-slip design.

The height can be adjusted from 120-170cm and the stand can be rotated 360°.

OPERATION

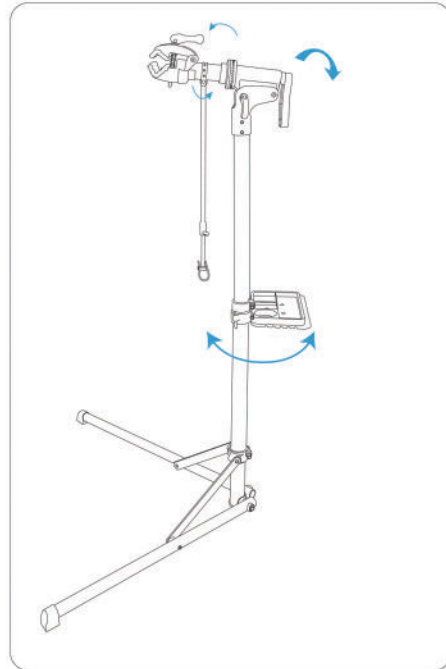
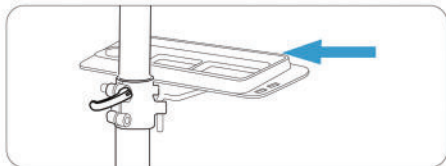
Positioning the Legs

1. Loosen the quick release spanner of the main body and expand it out 90 degrees to the ground until the clamp touched the bulge.
2. After opening the bottom of the frame, tighten quick release spanner by rotating clockwise.
3. When resistance is felt, close quick release spanner.



Adjusting the Height

1. Open and loosen the quick release spanner;
2. Pull up the telescopic tube until the needed height is confirmed;
3. Fasten and lock the quick release spanner to ensure a safe use condition.

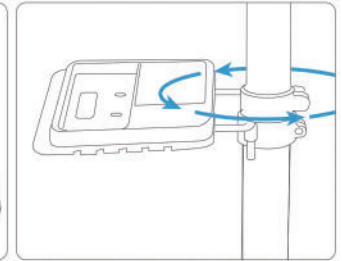
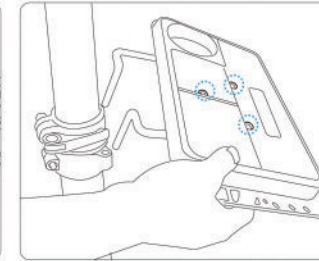


ASSEMBLING & ADJUSTING THE TOOL TRAY

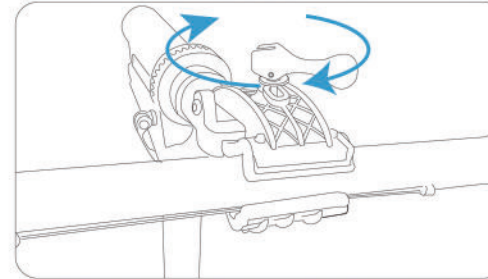
1. According to below graph, at the back side, using A3 Allen Wrench to assemble the U fork to the tool tray with the screws and fixed plate;

2. Insert the U fork into the mounting holes on the plastic junction;

3. The tool tray is attached with magnets which can absorb screws and tools. The tool tray can be rotated 45° in horizontal direction.



USAGE



1. Turn the big handle to the left side, the Repair head in adjustable condition. When you make repair head in suitable position, then turn the big handle to the Right side and finish to fasten.
2. Open and loosen the quick release spanner on the clamp to adjust the clamp inner diameter to be suit for bike frame size;
3. Put bike frame into the clamp;
4. Fasten and close the quick release spanner to fix the bike in place;

