

# סטנד יחיד לחניית אופניים

מק"ט: 300411

## PRODUCT PARAMETER

Product Size: 68~204 x 33 x 26.5 cm (LxWxH)

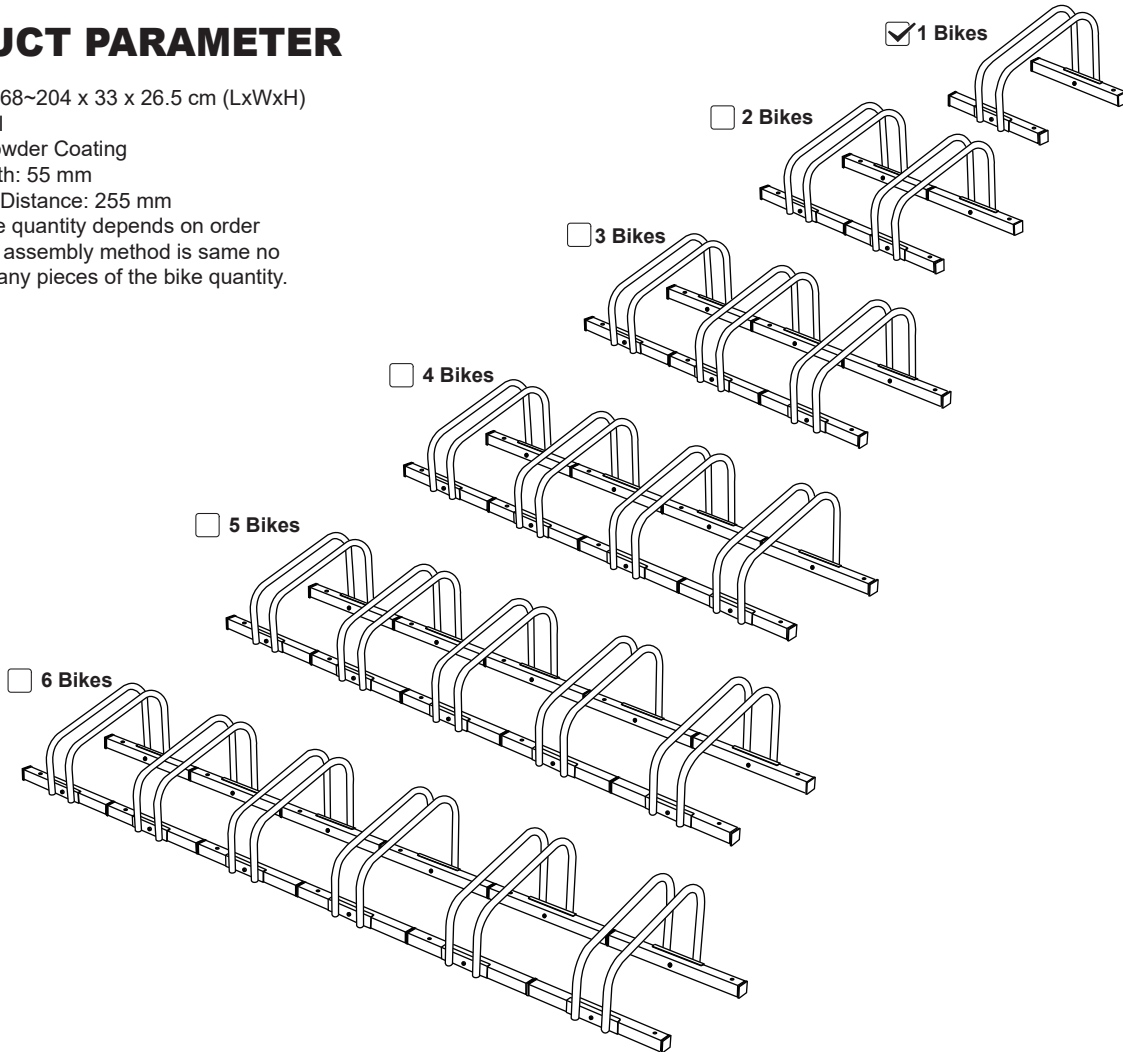
Material: Steel

Treatment: Powder Coating

Max Tyre Width: 55 mm

Parking Rack Distance: 255 mm

Remarks: Bike quantity depends on order requirements, assembly method is same no matter how many pieces of the bike quantity.

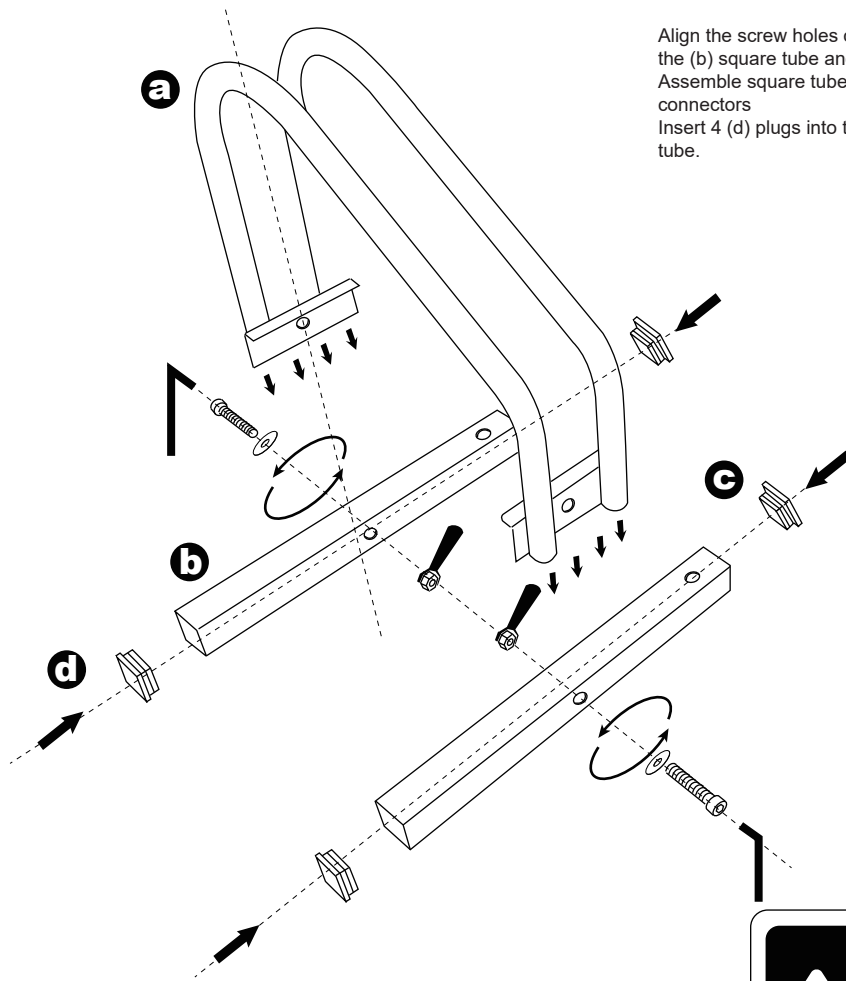


## BILL OF MATERIAL

1	Bracket	Square Tubes	Screws	Plugs	Ground Screw Kits	Tool	Connectors

# INSTALLATION

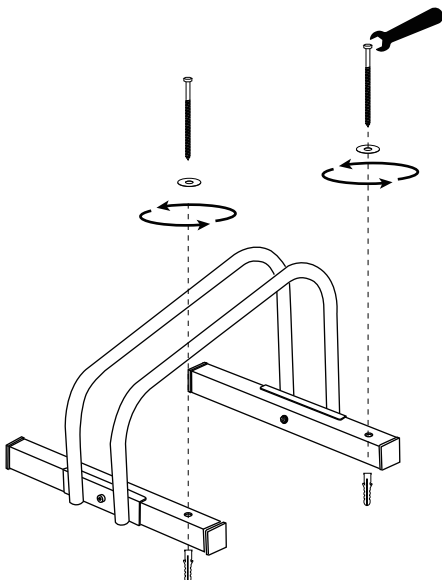
2



- 01 Using on a flat ground;
- 02 Not suitable for E-bike parking;
- 03 No damp and sun exposure to avoid aging.

3

There are mounting holes on the square tubes, according to below graph, choose to use screws to fix the bike stand on the flat ground or not.



4

Push the rear wheel into the parking bracket, do not exceed the safety line marked in below graph; Depend on your preference, you can park your bike with the front or rear wheel into the brackets.

