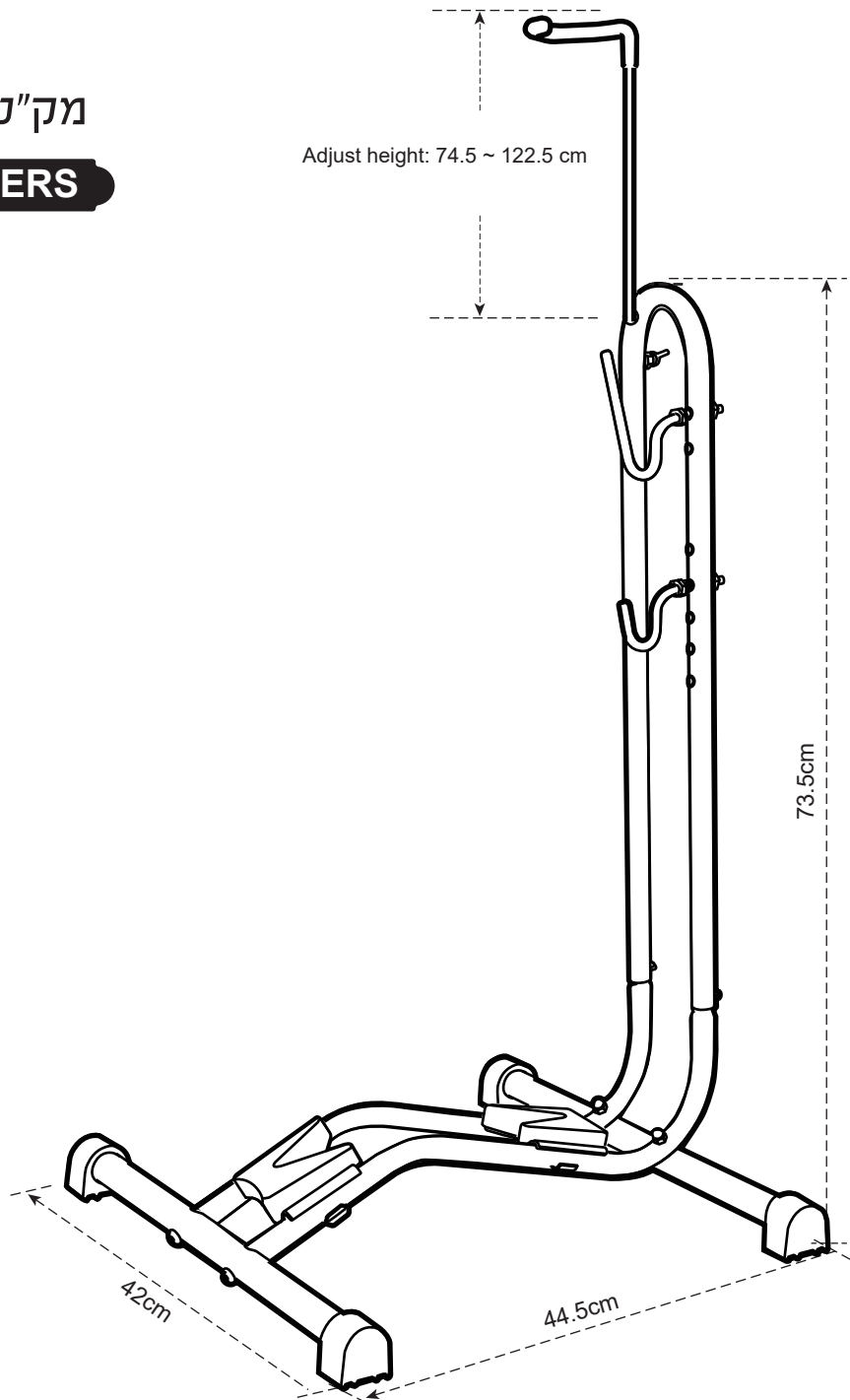


מתקן חניית אופניים רצפתי משולב 3 ב-1

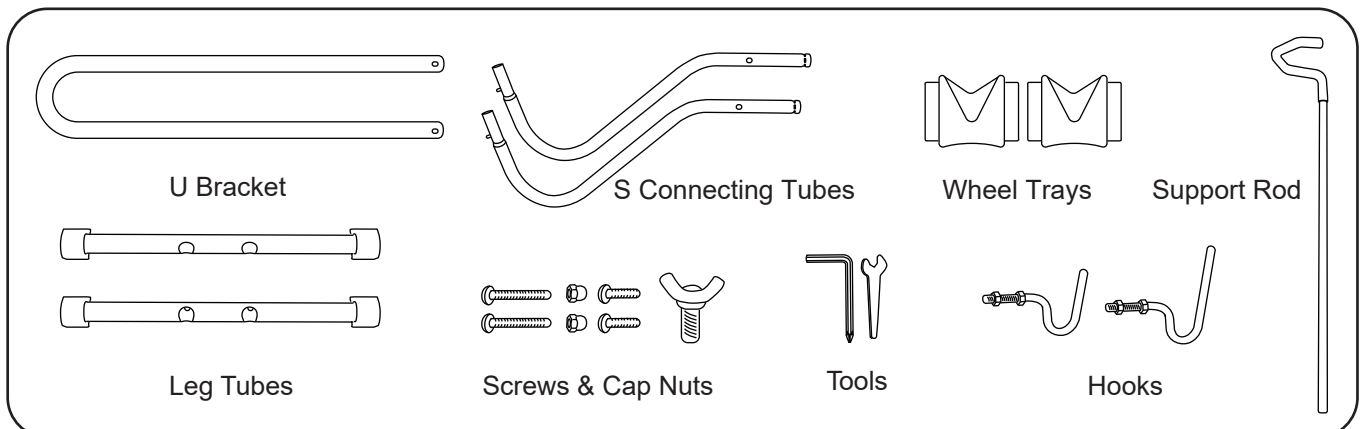
מק"ט: 300410

PRODUCT PARAMETERS

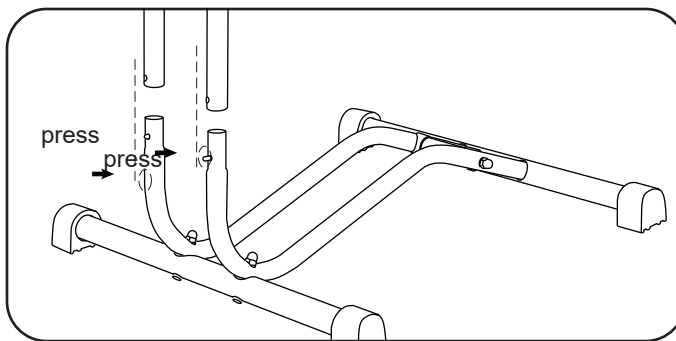
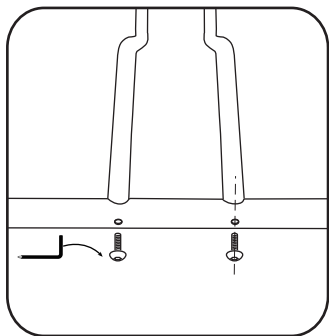
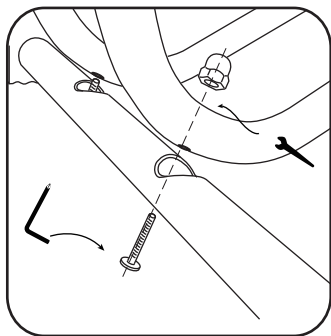
Apply: 16-27.5" bikes
Material: steel
Color: Black
Weight: 2.6kg/pc
Max Tyre Width: 6.5cm



PACKING LIST

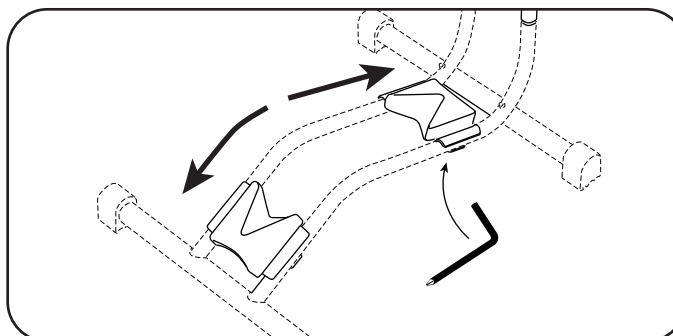
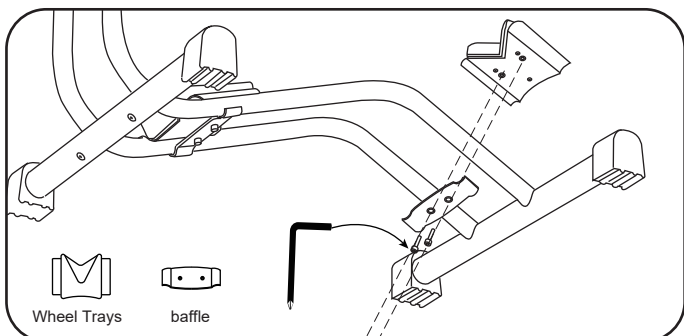


PRODUCT ASSEMBLY



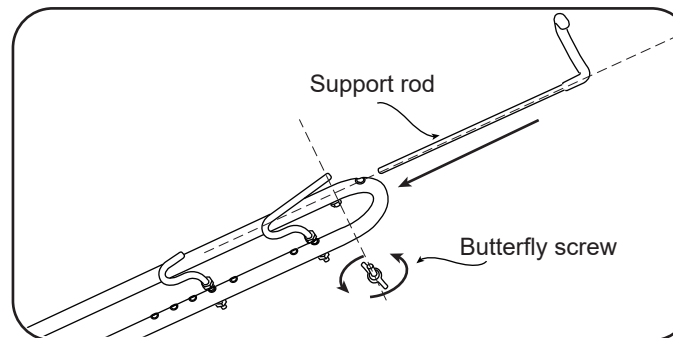
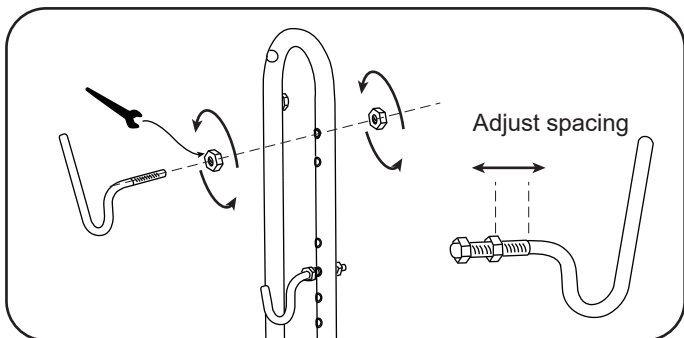
Align the assembly holes, insert the longer screws thru the rear leg tubes and the S connecting tubes, insert the S connecting tubes into the front leg tubes with shortest screws, fasten the screws and cap nuts to fix the tubes. Rotating the anti-slip feet to adjust the level.

Insert the U bracket into the main body, press the spring button pins to make them retract into the U bracket, press down the U bracket to let the spring button pins be stuck into the assembly holes.



According to above graph, put wheel tray to the upper and lower sides of the S Connecting tubes, align the assembly holes, insert the screws from bottom side and fasten them. No need to fasten screws too tight before position is confirmed.

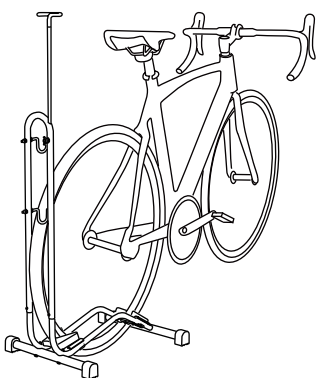
Adjust wheel trays' position along with the arrows' direction according to the bike size, fasten all screws tightly once position is confirmed.



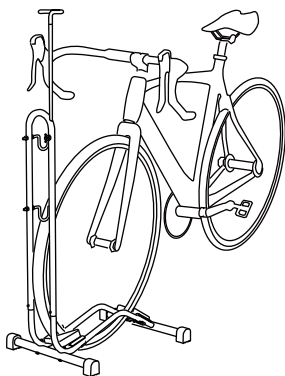
Align the assembly holes to assemble hooks and adjust hook height according to the bike frame, fasten the nuts to fix the hooks. Slightly move nut position to adjust the thread length of the hooks at the both sides to balance bike level if need.

Assemble the support rod with the butterfly screw, adjust height according to the bike size freely.

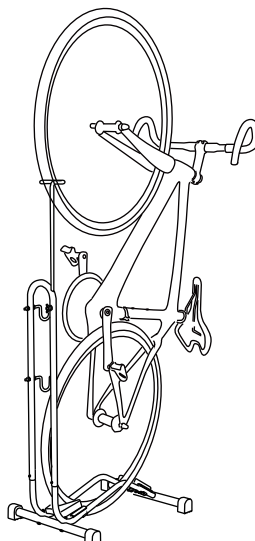
USAGE



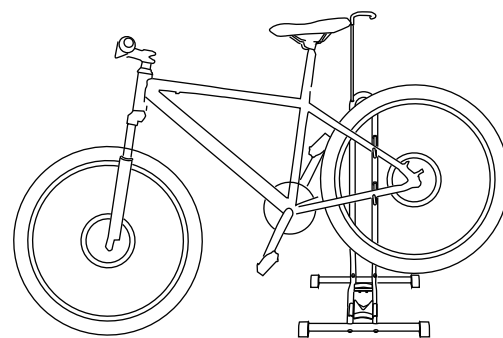
Rear Wheel Usage



Front Wheel Usage



Maintenance Mode



Vertical Parking Display